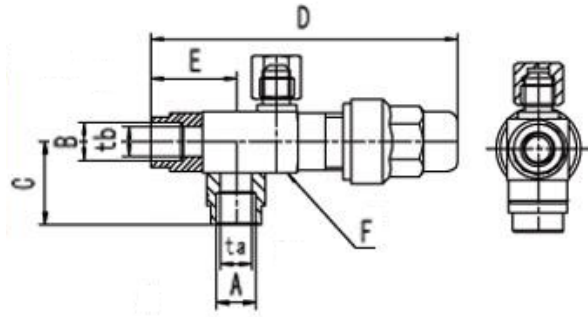
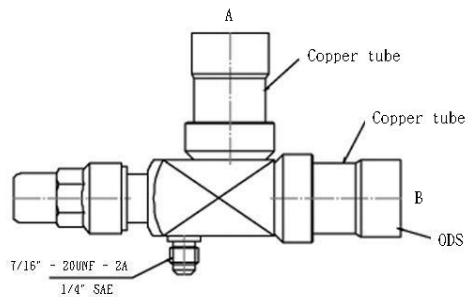


## Angle valve



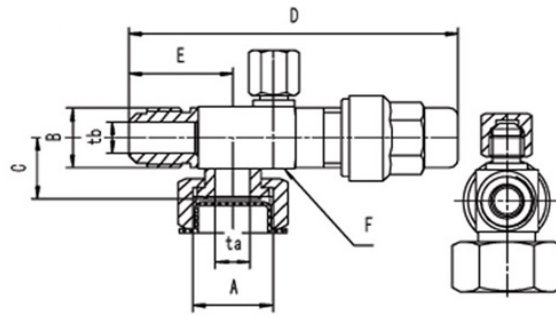
Model	Body	A		B		Dimension				
		ODS inches		ODS inches		ta	tb	C	D	E
SR20-D3D3	20	D3	1/4"	D3	1/4"	5	5	25	98	26
SR20-D5D5	20	D5	3/8"	D5	3/8"	8.5	8.5	24	97	25
SR20-D8D8	20	D8	1/2"	D8	1/2"	11	11	29	102	30
SR22-D12D12	22	D12	5/8"	D12	5/8"	13	13	33.5	111.5	35
SR22-D14D14	22	D14	3/4"	D14	3/4"	13	13	33.5	111.5	35
SR30-D12D12	30	D12	5/8"	D12	5/8"	15	15	38	130.5	40
SR30-D14D14	30	D14	3/4"	D14	3/4"	16	16	38	131	40
SR30-D17D17	30	D17	7/8"	D17	7/8"	18	18	38	131	40
SR30-D22D22	30	D22	1-1/8"	D22	1-1/8"	19	19	43	146	55
SR36-D22D22	36	D22	1-1/8"	D22	1-1/8"	27	26	50	174	55
SR36-D28D28	36	D28	1-3/8"	D28	1-3/8"	27	26	51	175	56
SR36-D31D31	36	D31	1-5/8"	D31	1-5/8"	27	26	56	180	61
SR50-D36D36	50	D36	2-1/8"	D36	2-1/8"	38	36	74.5	201	78.5

## Angle valve (copper connection)



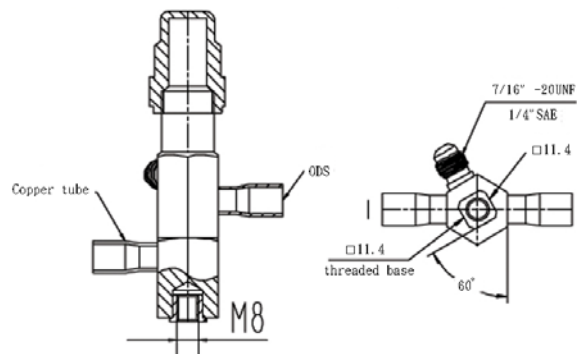
Valve body size	Copper tube connection			
	A		B	
□ 20 sq	1/4" tube	1/4"	1/4" tube	1/4"
	3/8" tube	3/8"	3/8" tube	3/8"
	1/2" tube	1/2"	1/2" tube	1/2"
	5/8" tube	5/8"	5/8" tube	5/8"
□ 30 sq	3/4" tube	3/4"	3/4" tube	3/4"
	3/4" tube	3/4"	3/4" tube	3/4"
	7/8" tube	7/8"	7/8" tube	7/8"
	1-1/8" tube	1-1/8"	1-1/8" tube	1-1/8"
□ 36 sq	1-3/8" tube	1-3/8"	1-3/8" tube	1-3/8"
□ 50 sq	1-5/8" tube	1-5/8"	1-5/8" tube	1-5/8"

## Rotalock valve



Model	Body	A		B		Dimension				
		ROTALOCK		FLARE		ta	tb	D	E	C
SR20-R1F1	20	R1	3/4"- 16UNF	F1	1/4" SAE	8	4.5	103	31	19
SR20-R1F2	20			F2	3/8" SAE	8	8	103	31	19
SR20-R1F3	20			F3	1/2" SAE	8	10	104.5	33	19
SR20-R2F2	20	R2	1"- 14UNS	F2	3/8" SAE	12	8	103	31	19
SR20-R2F3	20			F3	1/2" SAE	12	10	104.5	33	19
SR22-R2F4	22			F4	5/8" SAE	13	13	114	37.5	20
SR22-R2F5	22			F5	3/4" SAE	13	16	119.5	42	20
SR30-R3F4	30	R3	1-1/4"- 12UNF	F4	5/8" SAE	18	13	132.5	42.5	26.7
SR30-R3F5	30			F5	3/4" SAE	18	16	138.5	48.5	26.7
SR30-R3F6	30			F6	7/8" SAE	18	18	142.5	52.5	26.7

## Vertical valves



Valve body size	Copper tube					
	1/4"	3/8"	1/2"	5/8"	3/4"	7/8"
S 22 Hex	✓	✓	✓			
□ 20 sq		✓	✓	✓		